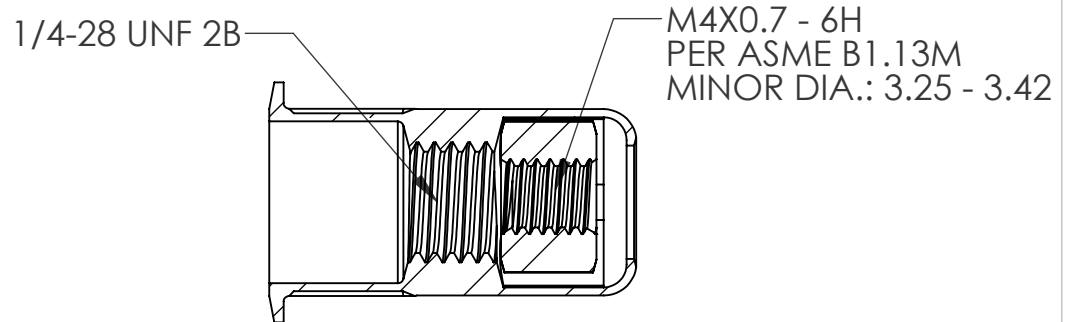
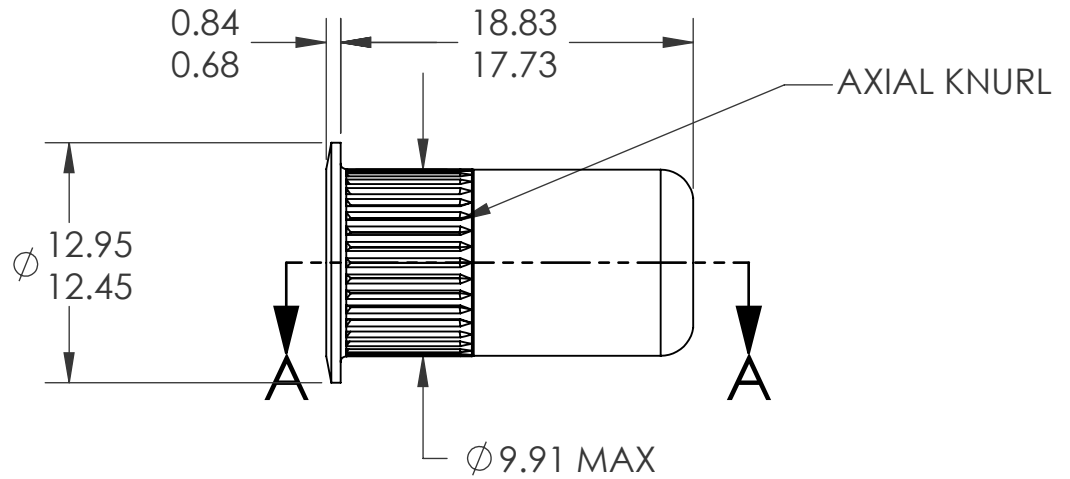
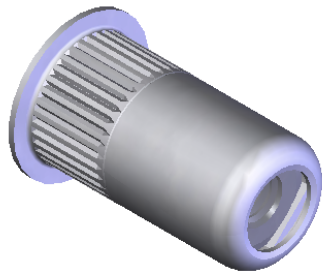
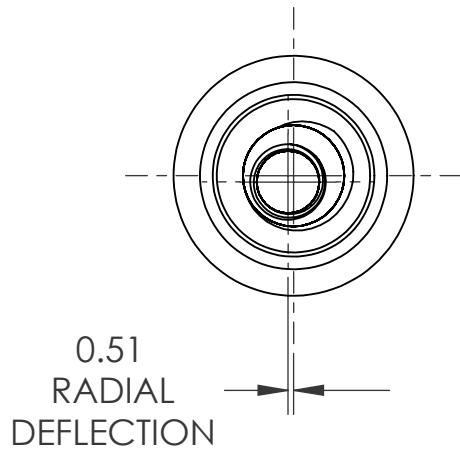


| REVISIONS | | | |
|-----------|-----------------|---------|------|
| REV. | DESCRIPTION | DATE | ECN |
| A | INITIAL RELEASE | 11/4/08 | 1107 |



SECTION A-A

NOTE:

- GRIP RANGE: 0.7 - 3.3
- HOLE SIZE: ϕ 10.00 +0.15/-0.00 AFTER ALL APPLIED FINISHES.
- INSTALLED LENGTH: 13.25 REF.
- INSTALLED THREAD DEPTH: N/A
- LUBRICATION: NONE
- INSTALLATION TOOL: MS 50 SPIN-PULL (1/4-28 MANDREL)

U.S. PATENT NO. 7,713,011

PROPRIETARY AND CONFIDENTIAL

THIS DRAWING, AND THE INFORMATION CONTAINED HEREIN, ARE THE PROPERTY OF SHEREX AND ARE NOT TO BE USED IN ANY MANNER DETRIMENTAL TO THE INTEREST OF THE COMPANY.
SHEREX SOLUTIONS RESERVES THE RIGHT TO REVISE PART/DRAWING WITHOUT NOTICE.

| | | | | |
|-------------|---------|--|--|-------------|
| | | UNLESS OTHERWISE SPECIFIED: | NAME | DATE |
| | | DIMENSIONS ARE IN MILLIMETERS TOLERANCES: ANGULAR: MACH \pm 1 BEND \pm 1 ONE PLACE DECIMAL \pm 0.10 TWO PLACE DECIMAL \pm 0.05 | DRAWN | JVK 11/3/08 |
| | | INTERPRET GEOMETRIC TOLERANCING PER: ASME Y14.5M-1994 | CHECKED | |
| | | MATERIAL BODY: C1008/1010 NUT: MED. CARBON STEEL | ENG APPR. | JVK 11/4/08 |
| | | FINISH BODY AND NUT: ZINC PLATE W/ CLEAR TRIVALENT CHROMATE RoHS COMPLIANT: 8-12 um | MFG APPR. | AP 11/13/08 |
| NEXT ASSY | USED ON | | Q.A. | |
| APPLICATION | | DO NOT SCALE DRAWING | COMMENTS: E-mail: info@sherex.com www.sherex.com Phone: 866-474-3739 Fax: 716-875-0358 | |



TITLE:
LARGE FLANGE RIV-FLOAT

| | |
|-----------------------|-----|
| SIZE DWG. NO. | REV |
| A RFL2-470-3.3 | A |

SCALE: 2:1 WEIGHT: .0054 kg SHEET 1 OF 1