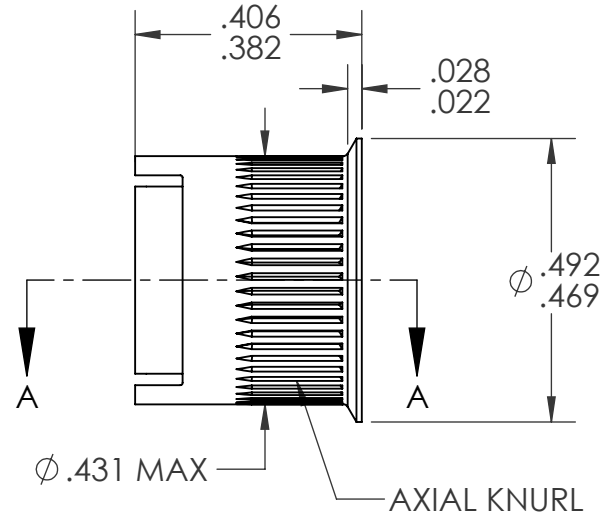
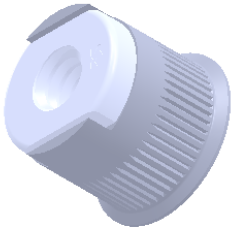
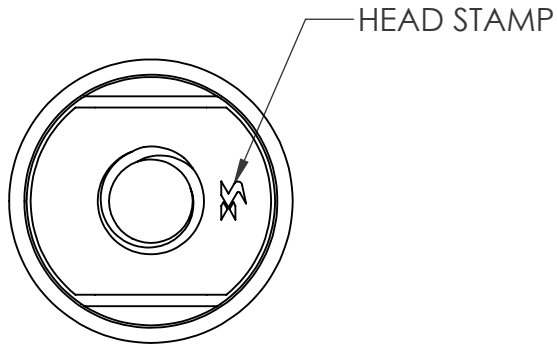
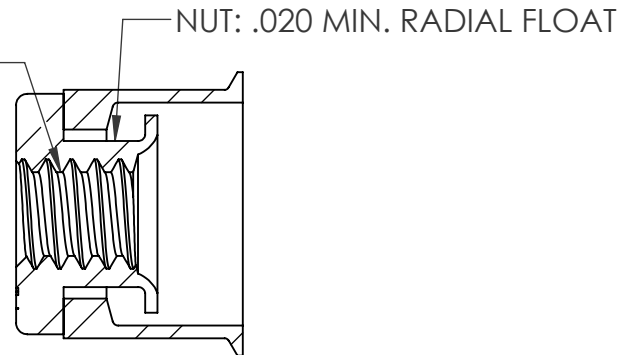


REVISIONS			
REV.	DESCRIPTION	DATE	ECN
A	INITIAL RELEASE	3/7/12	1491



#10-24 UNC 2B
PER ASME B1.1
MINOR DIA.: .145 - .156



SECTION A-A
SCALE 3 : 1

- NOTE:
- GRIP RANGE: .020 - .100
 - HOLE SIZE: .433 +.006/-.000 AFTER ALL APPLIED FINISHES.
 - INSTALLED LENGTH: .246 MAX
 - LUBRICATION: NONE
 - INSTALLATION TOOL: FLEX 5P/5S WITH HEADSET#: FL5-HS-1024SR

PATENT APPLIED FOR

PROPRIETARY AND CONFIDENTIAL
THIS DRAWING, AND THE INFORMATION CONTAINED HEREIN, ARE THE PROPERTY OF SHEREX AND ARE NOT TO BE USED IN ANY MANNER DETRIMENTAL TO THE INTEREST OF THE COMPANY.
SHEREX SOLUTIONS RESERVES THE RIGHT TO REVISE PART/DRAWING WITHOUT NOTICE.

		UNLESS OTHERWISE SPECIFIED:		NAME	DATE
		DIMENSIONS ARE IN INCHES TOLERANCES: ANGULAR: MACH ± 1 BEND ± 1 TWO PLACE DECIMAL ± .01 THREE PLACE DECIMAL ± .005	DRAWN	CL	3/7/12
		INTERPRET GEOMETRIC TOLERANCING PER: ASME Y14.5M-1994	CHECKED		
		MATERIAL BODY: C1008/C1010 NUT: C1008	ENG APPR.	JVK	3/7/12
		FINISH BODY & NUT: ZINC PLATE CLEAR TRIVALENT CHROMATE PER SHEREX SFS-01-001	MFG APPR.		
NEXT ASSY	USED ON		Q.A.	JVK	3/7/12
			COMMENTS:	E-mail: info@sherex.com www.sherex.com Phone: 866-474-3739 Fax: 716-875-0358	
	APPLICATION	DO NOT SCALE DRAWING			

TITLE:		
SMALL FLANGE SHORT RIV-FLOAT		
SIZE DWG. NO.		REV
A	RFSK2-1024-100	A
SCALE: 2:1	WEIGHT: .0032 kg	SHEET 1 OF 1