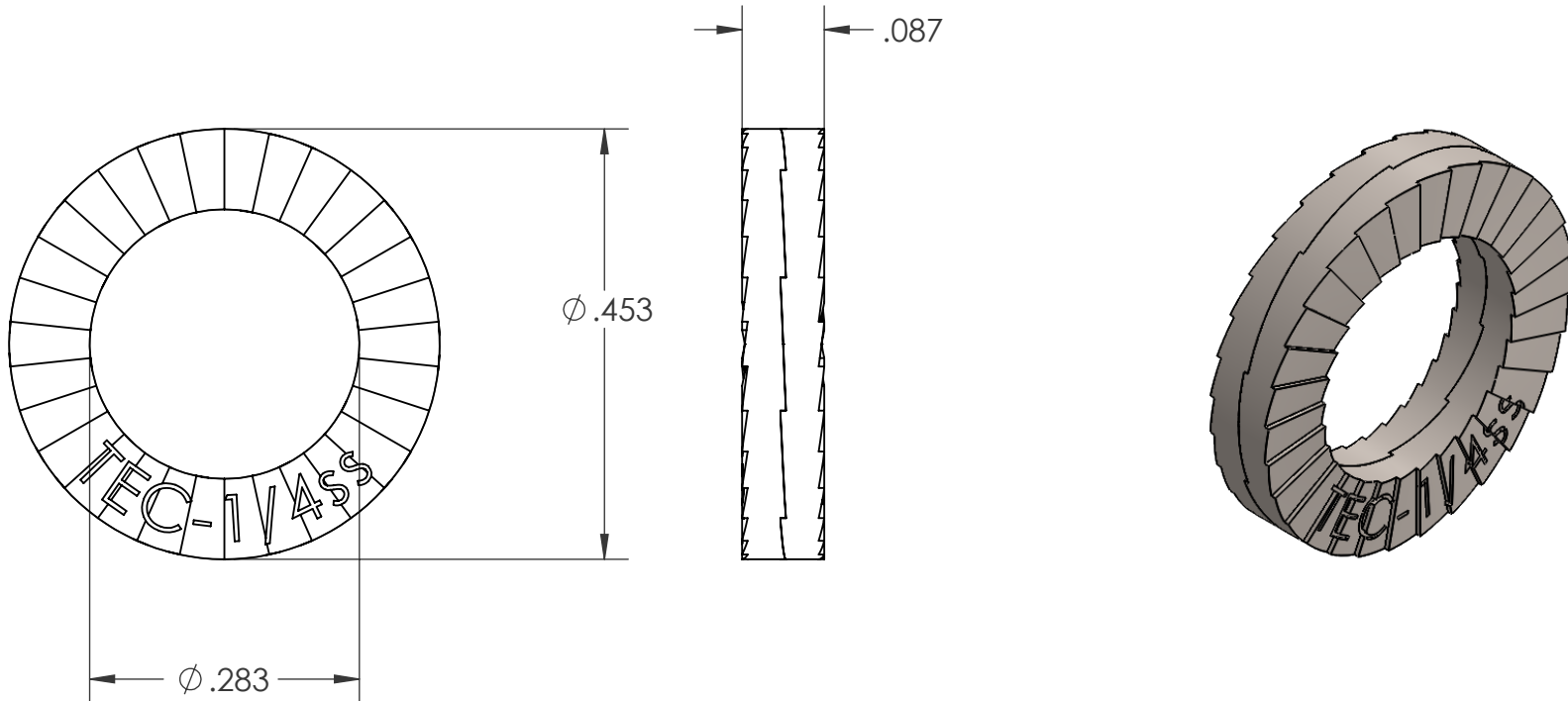
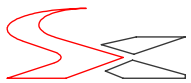


REVISIONS			
REV.	DESCRIPTION	DATE	ECN
A	INITIAL RELEASE	12/5/17	2857



**PROPRIETARY AND CONFIDENTIAL**  
 THIS DRAWING, AND THE INFORMATION CONTAINED  
 HEREIN, ARE THE PROPERTY OF SHEREX AND ARE NOT  
 TO BE USED IN ANY MANNER DETRIMENT TO THE  
 INTEREST OF THE COMPANY.  
 SHEREX FASTENING SOLUTIONS RESERVES THE RIGHT  
 TO REVISE PART/DRAWING WITHOUT NOTICE.

DRAWING NO.:  
 TEC-250ss

UNLESS OTHERWISE SPECIFIED: DIMENSIONS ARE IN INCHES TOLERANCES: ANGULAR: MACH ± 1 BEND ± 1 I.D. TOLERANCE: ± .004 O.D. TOLERANCE: ± .008 THICKNESS TOLERANCE: ± .01 INTERPRET GEOMETRIC TOLERANCING PER: ASME Y14.5M-1994 MATERIAL 316L STAINLESS STEEL; KOLSTERIZE CASE HARDEN (K22 PROCESS) FINISH NONE DO NOT SCALE DRAWING	NAME	DATE	 <b>TECSERIES</b> <small>A SHEREX FASTENING SOLUTIONS® MARKET</small>	
	DRAWN	MTB		12/5/17
	CHECKED			DESCRIPTION: TEC WASHER GLUED PAIR 1/4"
	ENG APPR.	JVK	12/5/17	
Q.A.			SIZE PART NO.: <b>A</b> TEC-1/4ss	
COMMENTS: E-mail: <a href="mailto:info@disc-lock.com">info@disc-lock.com</a> <a href="http://www.disc-lock.com">www.disc-lock.com</a> Phone: 866-474-3739 Fax: 716-875-0358			REV A	
	SCALE: 5:1	WEIGHT:	SHEET 1 OF 1	

5

4

3

2

1