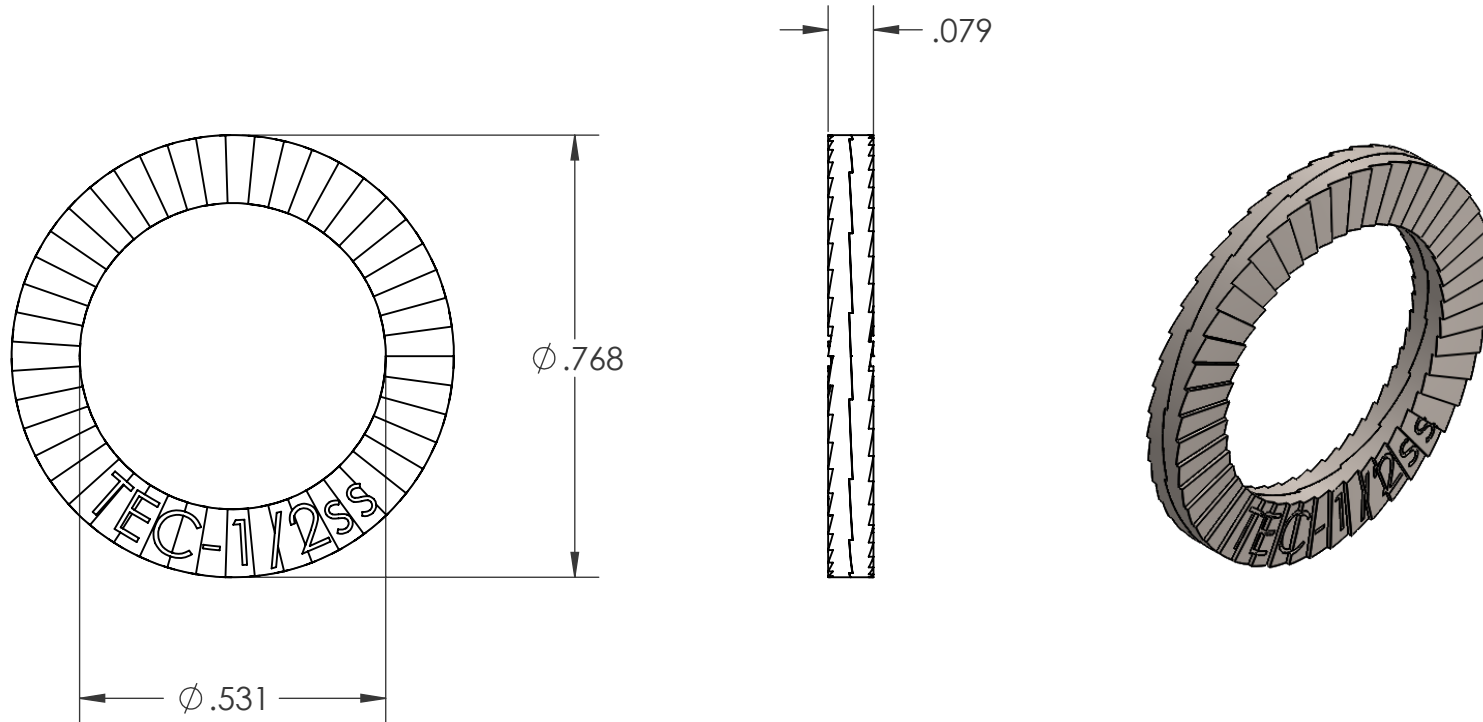



REVISIONS			
REV.	DESCRIPTION	DATE	ECN
A	INITIAL RELEASE	1/10/18	2897



**PROPRIETARY AND CONFIDENTIAL**  
 THIS DRAWING, AND THE INFORMATION CONTAINED HEREIN, ARE THE PROPERTY OF SHEREX AND ARE NOT TO BE USED IN ANY MANNER DETRIMENT TO THE INTEREST OF THE COMPANY.  
 SHEREX FASTENING SOLUTIONS RESERVES THE RIGHT TO REVISE PART/DRAWING WITHOUT NOTICE.

DRAWING NO.:  
 TEC-500ss

UNLESS OTHERWISE SPECIFIED: DIMENSIONS ARE IN INCHES TOLERANCES: ANGULAR: MACH ± 1 BEND ± 1 I.D. TOLERANCE: ± .008 O.D. TOLERANCE: ± .008 THICKNESS TOLERANCE: ± .01 INTERPRET GEOMETRIC TOLERANCING PER: ASME Y14.5M-1994 MATERIAL: 316L STAINLESS STEEL: KOLSTERIZE CASE HARDEN (K22 PROCESS) FINISH: NONE DO NOT SCALE DRAWING	NAME	DATE		
	DRAWN	MTB		1/10/18
	CHECKED			DESCRIPTION: TEC WASHER GLUED PAIR 1/2"
	ENG APPR.	JVK	1/10/18	
	MFG APPR.			
	Q.A.			
	COMMENTS: E-mail: info@disc-lock.com www.disc-lock.com Phone: 866-474-3739 Fax: 716-875-0358		SIZE PART NO.: <b>A</b> TEC-1/2ss	
			REV A	
	SCALE: 3:1	WEIGHT:	SHEET 1 OF 1	