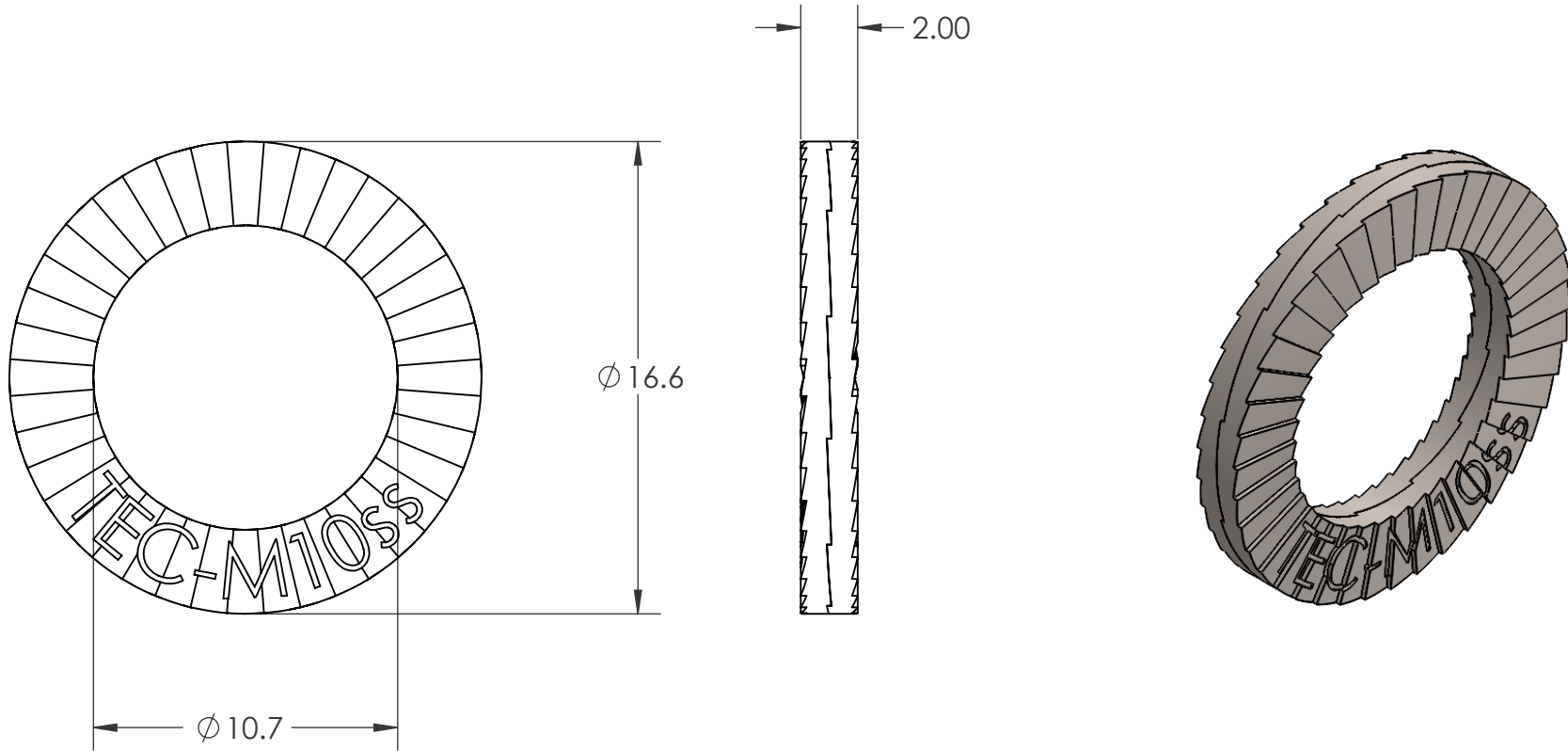
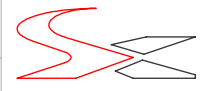



REVISIONS			
REV.	DESCRIPTION	DATE	ECN
A	INITIAL RELEASE	12/5/17	2857



PROPRIETARY AND CONFIDENTIAL
 THIS DRAWING, AND THE INFORMATION CONTAINED HEREIN, ARE THE PROPERTY OF SHEREX AND ARE NOT TO BE USED IN ANY MANNER DETRIMENT TO THE INTEREST OF THE COMPANY.
 SHEREX FASTENING SOLUTIONS RESERVES THE RIGHT TO REVISE PART/DRAWING WITHOUT NOTICE.

DRAWING NO.:
 TEC-M10ss

UNLESS OTHERWISE SPECIFIED: DIMENSIONS ARE IN MILLIMETERS TOLERANCES: ANGULAR: MACH ± 1 BEND ± 1 I.D. TOLERANCE: ± 0.2 O.D. TOLERANCE: ± 0.2 THICKNESS TOLERANCE: ± 0.25 INTERPRET GEOMETRIC TOLERANCING PER: ASME Y14.5M-1994 MATERIAL 316L STAINLESS STEEL; KOLSTERIZE CASE HARDEN (K22 PROCESS) FINISH NONE DO NOT SCALE DRAWING	NAME	DATE	 	
	DRAWN	MTB		12/5/17
	CHECKED			DESCRIPTION: TEC WASHER GLUED PAIR 10MM
	ENG APPR.	JVK	12/5/17	
	MFG APPR.			
	Q.A.			
	COMMENTS: E-mail: info@disc-lock.com www.disc-lock.com Phone: 866-474-3739 Fax: 716-875-0358		SIZE PART NO.: A TEC-M10ss	REV A
	SCALE: 2:1	WEIGHT:	SHEET 1 OF 1	