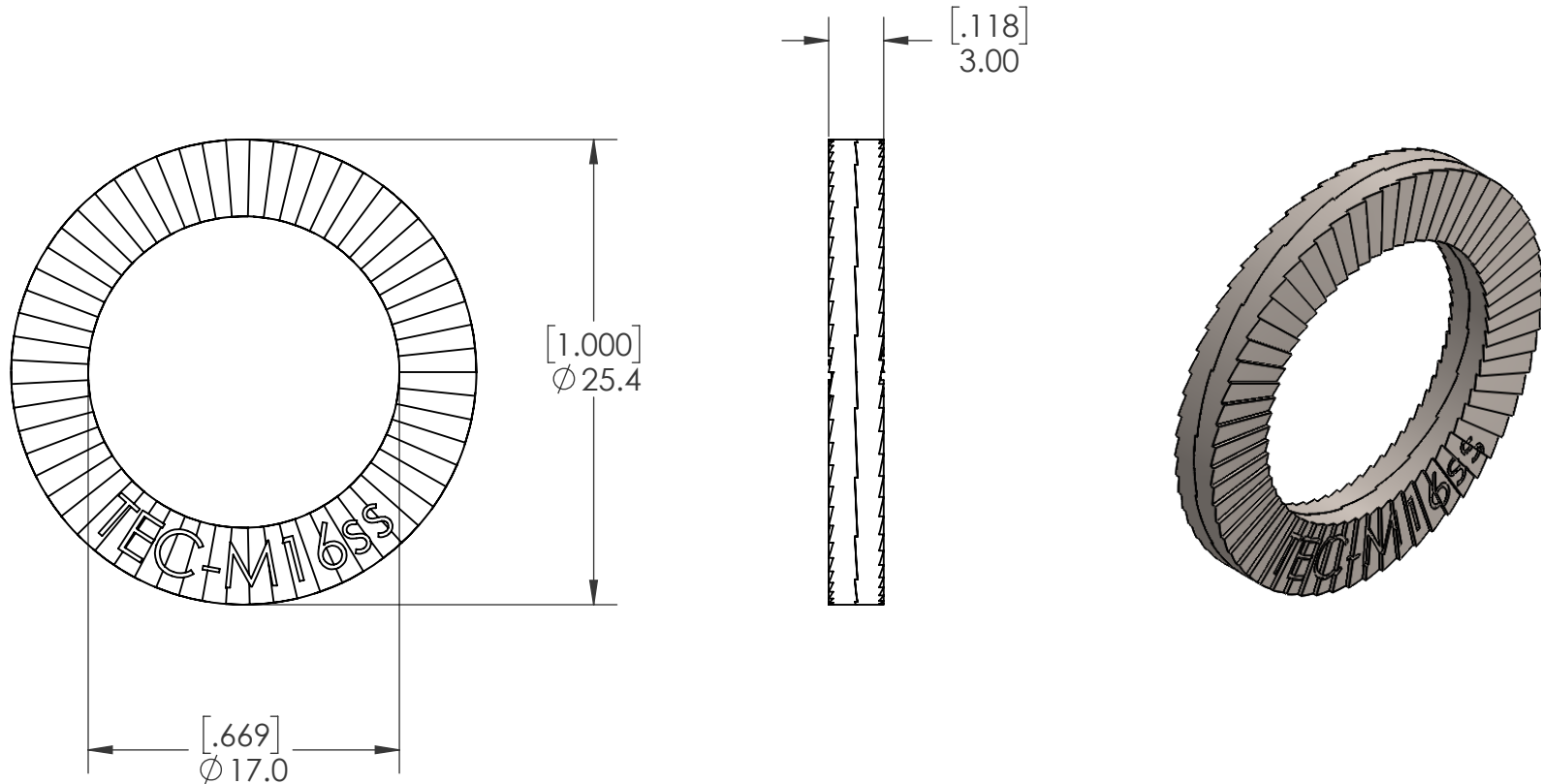



REVISIONS			
REV.	DESCRIPTION	DATE	ECN
A	INITIAL RELEASE	12/5/17	2857



PROPRIETARY AND CONFIDENTIAL
 THIS DRAWING, AND THE INFORMATION CONTAINED HEREIN, ARE THE PROPERTY OF SHEREX AND ARE NOT TO BE USED IN ANY MANNER DETRIMENT TO THE INTEREST OF THE COMPANY.
 SHEREX FASTENING SOLUTIONS RESERVES THE RIGHT TO REVISE PART/DRAWING WITHOUT NOTICE.

DRAWING NO.:
 TEC-M16ss

UNLESS OTHERWISE SPECIFIED: <small>DIMENSIONS ARE IN MM [INCHES] TOLERANCES: ANGULAR: MACH ± 1 BEND ± 1 I.D. TOLERANCE: ± 0.2 [± 0.008] O.D. TOLERANCE: ± 0.2 [± 0.008] THICKNESS TOLERANCE: ± 0.25 [± 0.01]</small>		NAME	DATE	 <p>TECSERIES <small>▲ SHEREX FASTENING SOLUTIONS® MADE IN USA</small></p>	
INTERPRET GEOMETRIC TOLERANCING PER: ASME Y14.5M-1994	DRAWN	MTB	12/5/17		
MATERIAL 316L STAINLESS STEEL; KOLSTERIZE CASE HARDEN (K22 PROCESS)	CHECKED				
FINISH NONE	ENG APPR.	JVK	12/5/17		
DO NOT SCALE DRAWING	MFG APPR.			DESCRIPTION: TEC WASHER GLUED PAIR 16MM, 5/8"	
	Q.A.				
	COMMENTS: E-mail: info@disc-lock.com www.disc-lock.com Phone: 866-474-3739 Fax: 716-875-0358			SIZE PART NO.: A TEC-M16ss	REV A
	SCALE: 5:2	WEIGHT:	SHEET 1 OF 1		