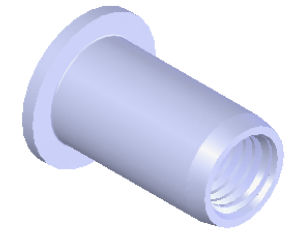
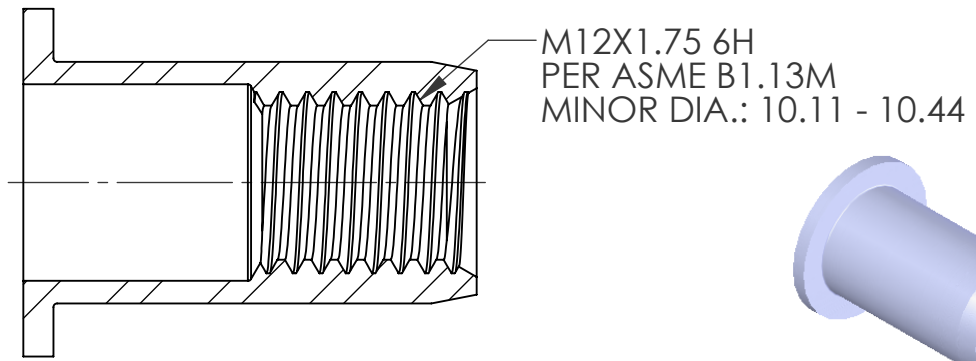
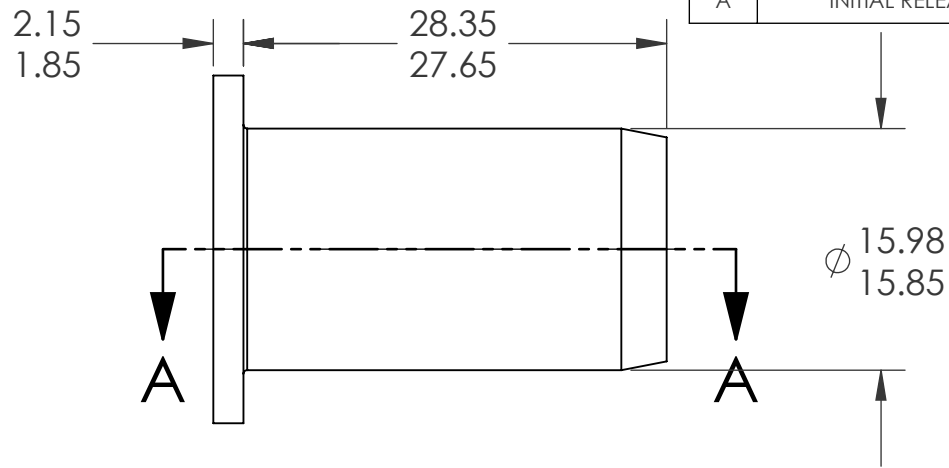
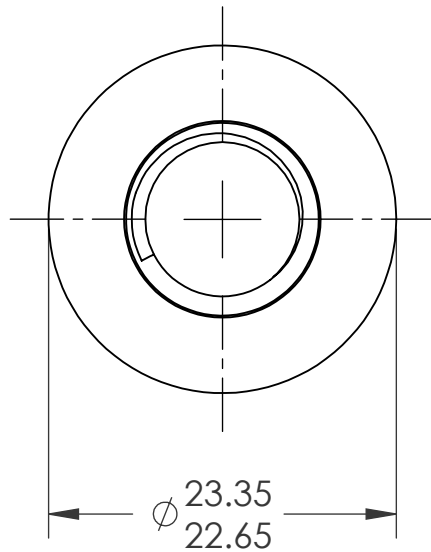


| REVISIONS |                 |          |      |
|-----------|-----------------|----------|------|
| REV.      | DESCRIPTION     | DATE     | ECN  |
| A         | INITIAL RELEASE | 2/5/2014 | 1656 |



SECTION A-A

NOTE:

- GRIP RANGE: 4.0 - 7.0
- HOLE SIZE: 16.0 +0.1/-0.0 AFTER ALL APPLIED FINISHES.
- INSTALLED LENGTH: N/A
- LUBRICATION: NONE
- INSTALLATION TOOL: FLEX 5P/5S SPIN PULL

**PROPRIETARY AND CONFIDENTIAL**

THIS DRAWING, AND THE INFORMATION CONTAINED HEREIN, ARE THE PROPERTY OF SHEREX AND ARE NOT TO BE USED IN ANY MANNER DETRIMENTAL TO THE INTEREST OF THE COMPANY.  
SHEREX SOLUTIONS RESERVES THE RIGHT TO REVISE PART/DRAWING WITHOUT NOTICE.

|             |         |  |           |   |          |
|-------------|---------|--|-----------|---|----------|
|             |         | UNLESS OTHERWISE SPECIFIED:  |           | NAME  | DATE     |
|             |         | DIMENSIONS ARE IN MILLIMETERS<br>TOLERANCES:<br>ANGULAR: MACH ± 1 BEND ± 1<br>ONE PLACE DECIMAL ± 0.10<br>TWO PLACE DECIMAL ± 0.05 | DRAWN     | JMC   | 2/5/2014 |
|             |         | INTERPRET GEOMETRIC TOLERANCING PER: ASME Y14.5M-1994  | CHECKED   |   |          |
|             |         | MATERIAL   | ENG APPR. | JVK   | 2/5/2014 |
|             |         | STEEL DIN QST 34-3   | MFG APPR. |   |          |
|             |         | FINISH   | Q.A.      | JR  | 2/5/2014 |
|             |         | ZINKTOP CLEAR, ROHS COMPLIANT 96W/480R   | COMMENTS: | E-mail: info@sherex.com<br>www.sherex.com<br>Phone: 866-474-3739<br>Fax: 716-875-0358 |          |
| NEXT ASSY   | USED ON |  |           |   |          |
| APPLICATION |         | DO NOT SCALE DRAWING   |           |   |          |

|                    |                  |              |
|--------------------|------------------|--------------|
|                    |                  |              |
| TITLE:             |                  |              |
| FLAT HEAD OPEN END |                  |              |
| SIZE               | DWG. NO.         | REV          |
| <b>A</b>           | TU-SM12UPO70ZT   | A            |
| SCALE: 2:1         | WEIGHT: .0234 kg | SHEET 1 OF 1 |