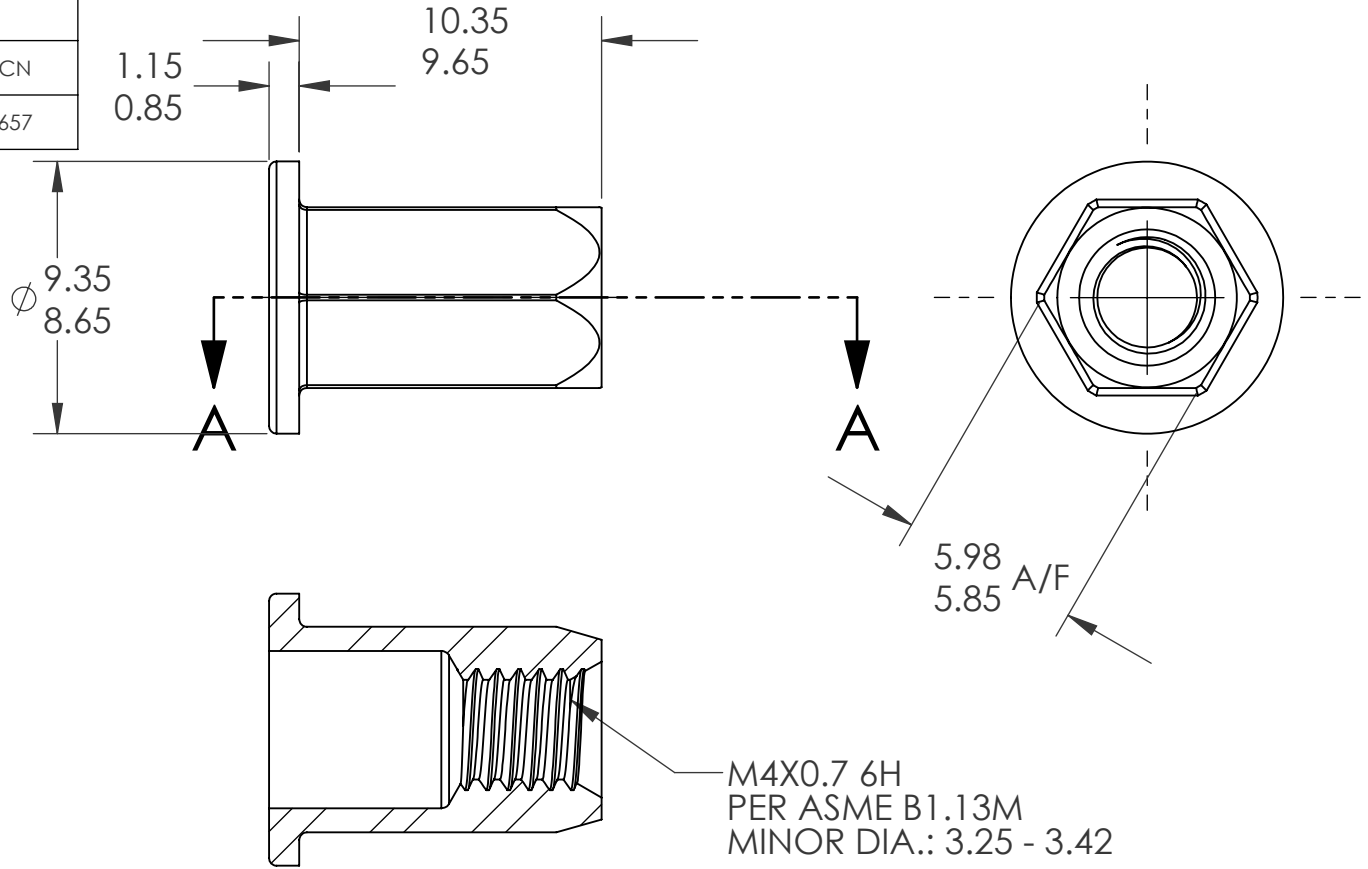
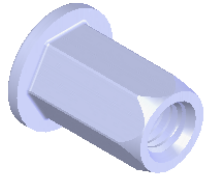


REVISIONS			
REV.	DESCRIPTION	DATE	ECN
A	INITIAL RELEASE	2/7/2014	1657



NOTE:

- GRIP RANGE: 0.5 - 2.0
- HOLE SIZE: 6.0 +0.1/0.0 A/F AFTER ALL APPLIED FINISHES.
- INSTALLED LENGTH: N/A
- LUBRICATION: NONE
- INSTALLATION TOOL: FLEX 5P/5S SPIN PULL

PROPRIETARY AND CONFIDENTIAL
THIS DRAWING, AND THE INFORMATION CONTAINED HEREIN, ARE THE PROPERTY OF SHEREX AND ARE NOT TO BE USED IN ANY MANNER DETRIMENTAL TO THE INTEREST OF THE COMPANY.
SHEREX SOLUTIONS RESERVES THE RIGHT TO REVISE PART/DRAWING WITHOUT NOTICE.

		UNLESS OTHERWISE SPECIFIED:		NAME	DATE	
		DIMENSIONS ARE IN MILLIMETERS TOLERANCES: ANGULAR: MACH ± 1 BEND ± 1 ONE PLACE DECIMAL ± 0.10 TWO PLACE DECIMAL ± 0.05		DRAWN	JMC 2/7/2014	
		INTERPRET GEOMETRIC TOLERANCING PER: ASME Y14.5M-1994		CHECKED		TITLE: FLAT HEAD HEX SHANK
		MATERIAL		ENG APPR.	JVK 2/7/2014	
		STEEL DIN QST 34-3		MFG APPR.		SIZE DWG. NO. A TU-SM4HUPO20ZT
		FINISH		Q.A.	JR 2/7/2014	
NEXT ASSY	USED ON	ZINKTOP CLEAR, ROHS COMPLIANT 96W/480R		COMMENTS:		REV A
APPLICATION		DO NOT SCALE DRAWING		E-mail: info@sherex.com www.sherex.com Phone: 866-474-3739 Fax: 716-875-0358		
				SCALE: 2:1		WEIGHT: .0014 kg
						SHEET 1 OF 1