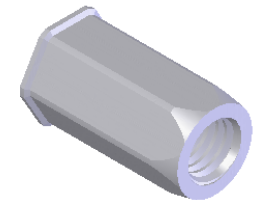
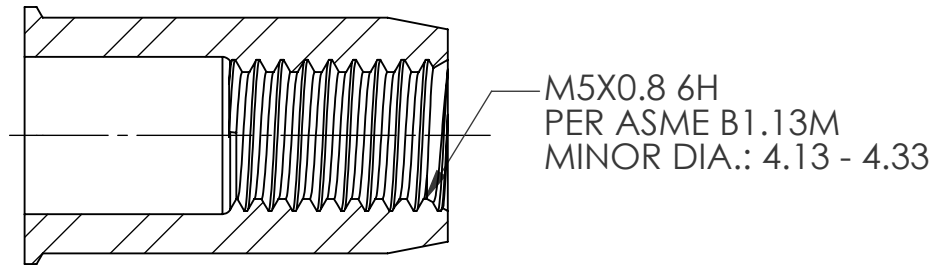
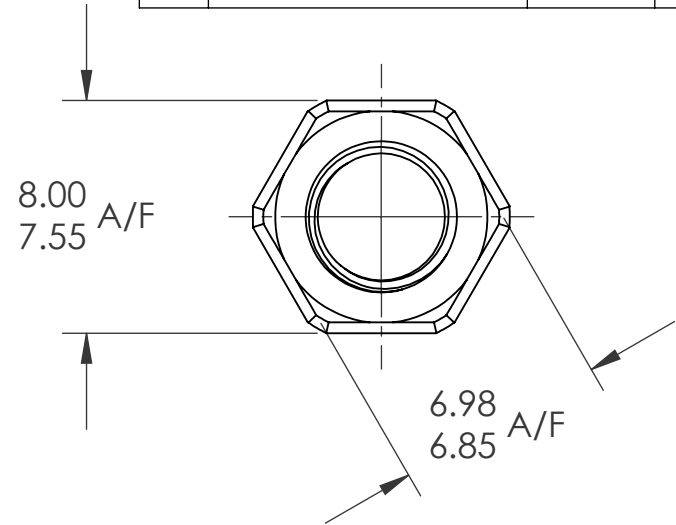
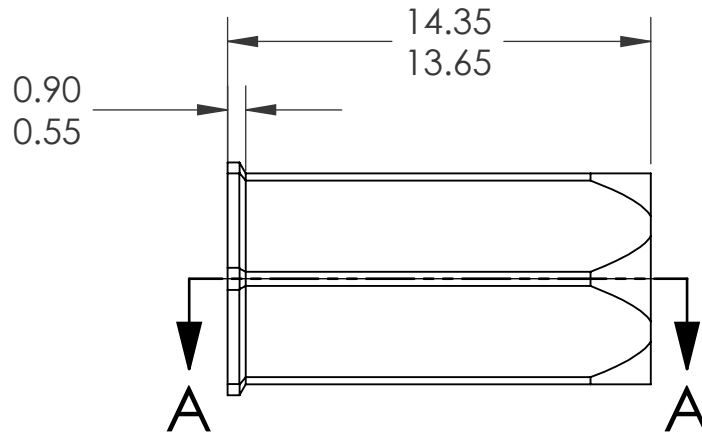


REVISIONS			
REV.	DESCRIPTION	DATE	ECN
A	INITIAL RELEASE	2/12/2014	1660



NOTE:


- GRIP RANGE: 0.5 - 3.0
- HOLE SIZE: 7.0 +0.1/-0.0 A/F AFTER ALL APPLIED FINISHES.
- INSTALLED LENGTH: N/A
- LUBRICATION: NONE
- INSTALLATION TOOL: FLEX 5P/5S SPIN PULL

SECTION A-A

PROPRIETARY AND CONFIDENTIAL

THIS DRAWING, AND THE INFORMATION CONTAINED HEREIN, ARE THE PROPERTY OF SHEREX AND ARE NOT TO BE USED IN ANY MANNER DETRIMENTAL TO THE INTEREST OF THE COMPANY.
SHEREX SOLUTIONS RESERVES THE RIGHT TO REVISE PART/DRAWING WITHOUT NOTICE.

		UNLESS OTHERWISE SPECIFIED:		NAME	DATE
		DIMENSIONS ARE IN METRIC TOLERANCES: ANGULAR: MACH ± 1 BEND ± 1 ONE PLACE DECIMAL ± .5 TWO PLACE DECIMAL ± .25	DRAWN	JMC	2/12/2014
		INTERPRET GEOMETRIC TOLERANCING PER: ASME Y14.5M-1994	CHECKED		
		MATERIAL STEEL DIN QST 34-3	ENG APPR.	JVK	2/12/2014
		FINISH ZINKTOP CLEAR, RoHS COMPLIANT 96W/480R	MFG APPR.		
NEXT ASSY	USED ON		Q.A.	JR	2/12/2014
APPLICATION		DO NOT SCALE DRAWING	COMMENTS: E-mail: info@sherex.com www.sherex.com Phone: 866-474-3739 Fax: 716-875-0358		

		
TITLE: LOW PROFILE HEAD FULL HEX		
SIZE DWG. NO.	REV	
A TU-SM5HUKO30ZT	A	
SCALE: 2:1	WEIGHT: .0025 kg	SHEET 1 OF 1