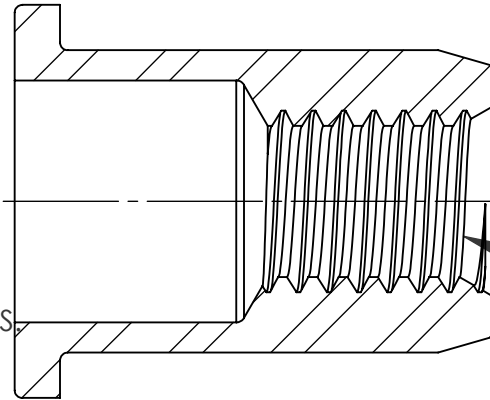
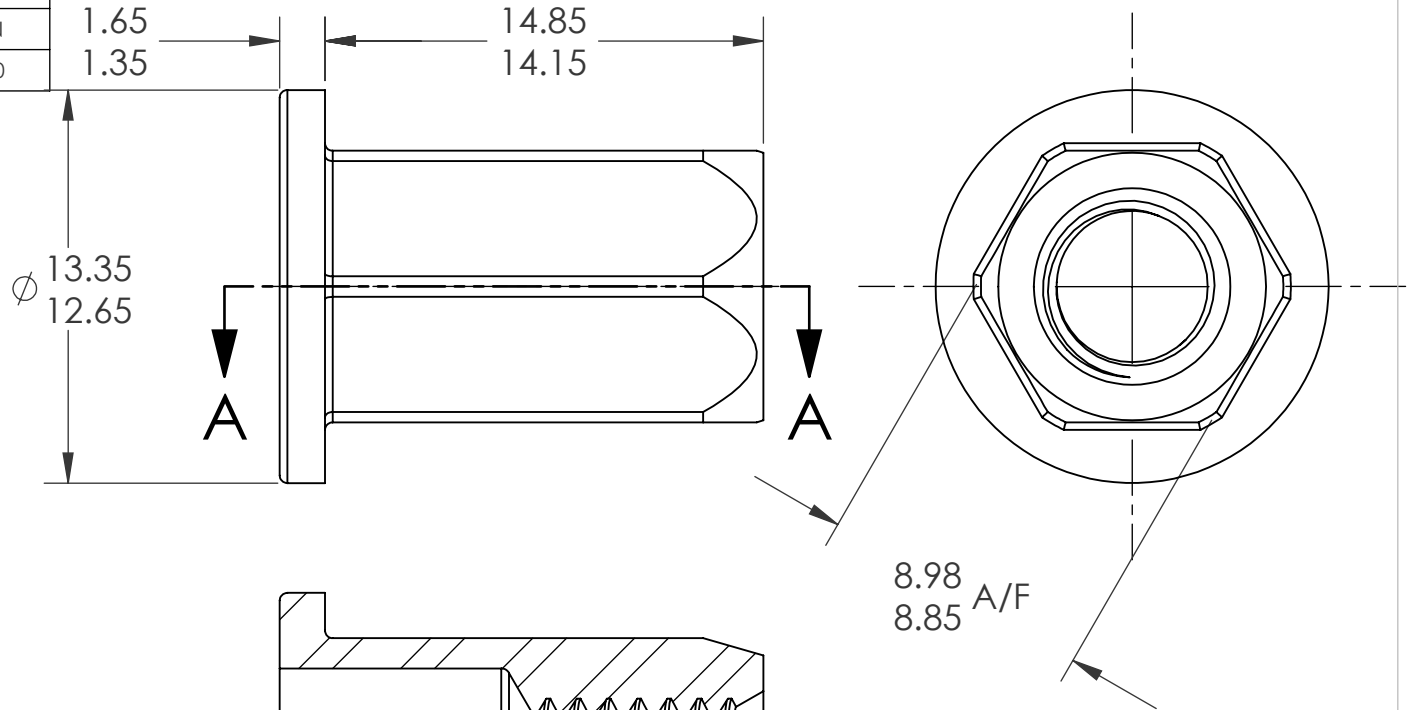
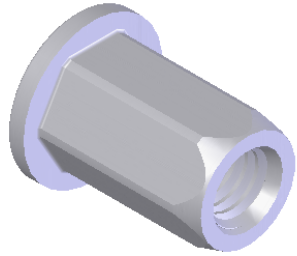


REVISIONS			
REV.	DESCRIPTION	DATE	ECN
A	INITIAL RELEASE	2/12/2014	1660



SECTION A-A

M6X1.0 6H
PER ASME B1.13M
MINOR DIA.: 4.92 - 5.15

NOTE:

- GRIP RANGE: 0.5 - 3.0
- HOLE SIZE: 9.0 +0.1/0.0 A/F AFTER ALL APPLIED FINISHES
- INSTALLED LENGTH: N/A
- LUBRICATION: NONE
- INSTALLATION TOOL: FLEX 5P/5S SPIN PULL

PROPRIETARY AND CONFIDENTIAL
THIS DRAWING, AND THE INFORMATION CONTAINED HEREIN, ARE THE PROPERTY OF SHEREX AND ARE NOT TO BE USED IN ANY MANNER DETRIMENTAL TO THE INTEREST OF THE COMPANY.
SHEREX SOLUTIONS RESERVES THE RIGHT TO REVISE PART/DRAWING WITHOUT NOTICE.

		UNLESS OTHERWISE SPECIFIED:	NAME	DATE
		DIMENSIONS ARE IN MILLIMETERS TOLERANCES: ANGULAR: MACH ±1 BEND ±1 ONE PLACE DECIMAL ±0.10 TWO PLACE DECIMAL ±0.05	DRAWN	JMC 2/12/2014
		INTERPRET GEOMETRIC TOLERANCING PER: ASME Y14.5M-1994	CHECKED	
		MATERIAL	ENG APPR.	JVK 2/12/2014
		STEEL DIN QST 34-3	MFG APPR.	
		FINISH	Q.A.	JR 2/12/2014
		ZINKTOP CLEAR, ROHS COMPLIANT 96W/480R	COMMENTS:	
NEXT ASSY	USED ON		E-mail: info@sherex.com	
			www.sherex.com	
			Phone: 866-474-3739	
			Fax: 716-875-0358	
	APPLICATION	DO NOT SCALE DRAWING		

			TITLE:	
			FLAT HEAD HEX SHANK	
SIZE	DWG. NO.	REV		
A	TU-SM6HUPO30ZT	A		
SCALE: 2:1	WEIGHT: .0047 kg	SHEET 1 OF 1		