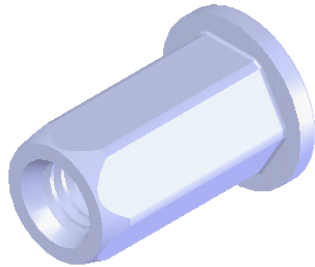
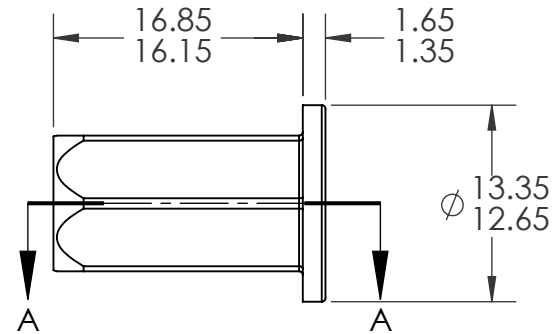
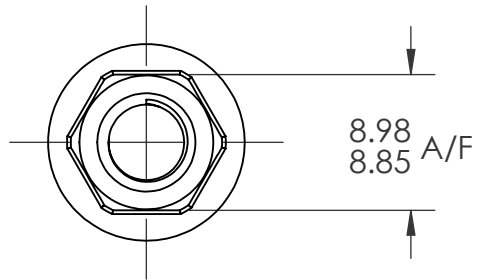
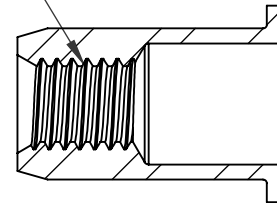


| REVISIONS | | | |
|-----------|-----------------|---------|------|
| REV. | DESCRIPTION | DATE | ECN |
| A | INITIAL RELEASE | 4/23/12 | 1515 |



M6X1.0 6H
PER ASME B1.13M
MINOR DIA.: 4.92 - 5.15



SECTION A-A

NOTE:

- GRIP RANGE: 3.0 - 5.5
- HOLE SIZE: 9.0 +0.1/-0.0 A/F AFTER ALL APPLIED FINISHES.
- INSTALLED LENGTH: N/A
- LUBRICATION: NONE
- INSTALLATION TOOL: FLEX 5P/5S SPIN PULL

PROPRIETARY AND CONFIDENTIAL

THIS DRAWING, AND THE INFORMATION CONTAINED HEREIN, ARE THE PROPERTY OF SHEREX AND ARE NOT TO BE USED IN ANY MANNER DETRIMENTAL TO THE INTEREST OF THE COMPANY.
SHEREX SOLUTIONS RESERVES THE RIGHT TO REVISE PART/DRAWING WITHOUT NOTICE.

| | | | | | |
|-----------|---------|--|---|------|---------|
| | | UNLESS OTHERWISE SPECIFIED: | | NAME | DATE |
| | | DIMENSIONS ARE IN MILLIMETERS TOLERANCES: ANGULAR: MACH ± 1 BEND ± 1 ONE PLACE DECIMAL ± 0.10 TWO PLACE DECIMAL ± 0.05 | DRAWN | CL | 4/23/12 |
| | | INTERPRET GEOMETRIC TOLERANCING PER: ASME Y14.5M-1994 | CHECKED | | |
| | | MATERIAL STEEL DIN QST 34-3 | ENG APPR. | JVK | 4/23/12 |
| | | FINISH ZINKTOP CLEAR, ROHS COMPLIANT 96W/480R | MFG APPR. | | |
| NEXT ASSY | USED ON | | Q.A. | JVK | 4/23/12 |
| | | | COMMENTS: | | |
| | | | E-mail: info@sherex.com www.sherex.com Phone: 866-474-3739 Fax: 716-875-0358 | | |
| | | APPLICATION | | | |
| | | DO NOT SCALE DRAWING | | | |



TITLE:

FLAT HEAD HEX SHANK

SIZE DWG. NO.

A TU-SM6HUP055ZT

REV

A

SCALE: 2:1 WEIGHT: kg

SHEET 1 OF 1