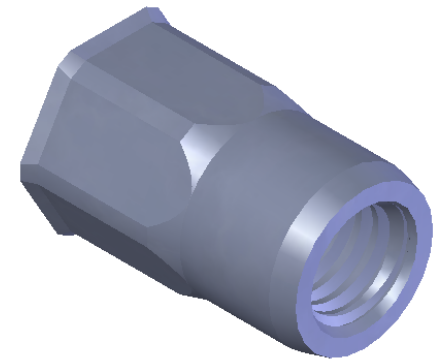


#10-32 UNF 2B
PER ASME B1.1
MINOR DIA.: .156 - .164

SECTION A-A

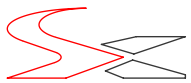


NOTE:

1. GRIP RANGE: 0.5 - 3.0 [.020 - .118]
2. HOLE SIZE: 7.0 +0.1/-0.0 [.276/.280] A/F AFTER ALL APPLIED FINISHES.
3. INSTALLED LENGTH: N/A
4. LUBRICATION: NONE
5. INSTALLATION TOOL: MS 50 SPIN PULL

PROPRIETARY AND CONFIDENTIAL
THIS DRAWING, AND THE INFORMATION CONTAINED HEREIN, ARE THE PROPERTY OF SHEREX AND ARE NOT TO BE USED IN ANY MANNER DETRIMENTAL TO THE INTEREST OF THE COMPANY.
SHEREX SOLUTIONS RESERVES THE RIGHT TO REVISE PART/DRAWING WITHOUT NOTICE.

		UNLESS OTHERWISE SPECIFIED:		NAME	DATE
		DIMENSIONS ARE IN MILLIMETERS TOLERANCES: ANGULAR: MACH ±1 BEND ±1 ONE PLACE DECIMAL ±0.10 TWO PLACE DECIMAL ±0.05	DRAWN	TOO	9/25/07
		INTERPRET GEOMETRIC TOLERANCING PER: ASME Y14.5M-1994	CHECKED		
		MATERIAL	ENG APPR.	TOO	9/25/07
		302/303 STAINLESS	MFG APPR.	AJP	9/25/07
		FINISH	Q.A.		
		PASSIVATE	COMMENTS:		
			E-mail: info@sherex.com		
			www.sherex.com		
			Phone: 866-474-3739		
			Fax: 716-875-0358		
NEXT ASSY	USED ON				
APPLICATION		DO NOT SCALE DRAWING			

 TITLE: LOW PROFILE HEAD SEMI HEX		
A	TU-SS1032HUKO30	A
SCALE: 2:1	WEIGHT: .0017 kg	SHEET 1 OF 1